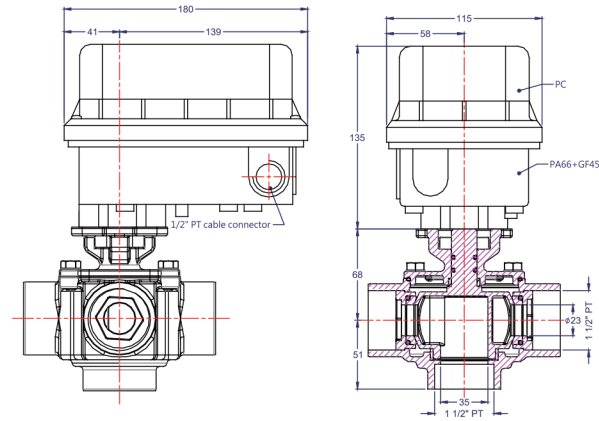


3Q5W

series



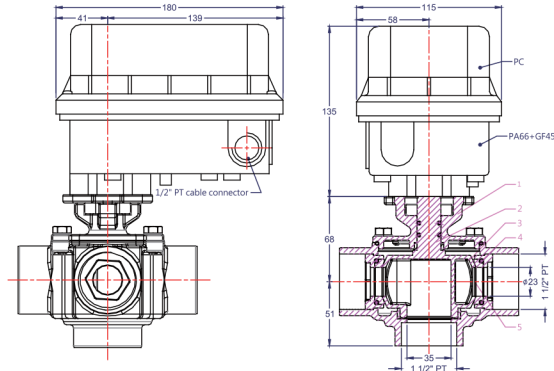
ITEM	PARTS	MATERIAL
1	BODY	CF8
2	STEM	SCS13
3	BALL	SUS304
4	O-RING	NBR
5	SEAT	TEFLON



(mm)	DN40
50/60Hz	AC220V ±10%
	ON-OFF (Three modes of functional indicators)
	0.5A
	0.3A
(50Hz)	Filter → Backwash :31SEC , Backwash → Rinse :24SEC
(60Hz)	Filter → Backwash :30SEC , Backwash → Rinse :23SEC
	35W
	60%
	60%:O-15min-CO-10min-CO. (Performing in circulated)
	E class insulation
	IP66
	-10°C to 50°C
	90%RH Max. (non-condensing)
	1/2" PT cable connector, screw terminals
	1.25mm
	Heater
	6
±1 (kg)	

H70

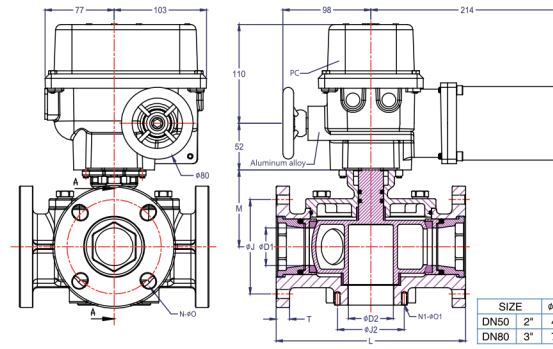
3Q5W series



(mm)	DN40
50/60Hz	DC24V / AC220V ±10%
	ON-OFF (Three modes of functional indicators)
Maximum Current	1.5A
	1A
Performed Time (50Hz)	Filter → Backwash :51SEC , Backwash → Rinse :38.5SEC
Performed Time (60Hz)	Filter → Backwash :50SEC , Backwash → Rinse :37.5SEC
Output power, voltage, current	18W , DC24V , 1A
Duty cycle	60%
Duty cycle (Remark)	60%:O-15min-CO-10min-CO (Performing in circulated)
	E class insulation
	IP66
	-10°C to 50°C
	90%RH Max. (non-condensing)
	1/2" PT cable connector, screw terminals
	1.25mm
	Heater
	6
±1 (kg)	

H115

3Q5W series



(mm)	DN50 / DN80
50/60Hz	AC220V ±10%
	ON-OFF (Three modes of functional indicators)
	0.6A
	0.5A
(50Hz)	Filter → Backwash :87SEC , Backwash → Rinse :67SEC
(60Hz)	Filter → Backwash :80SEC , Backwash → Rinse :60SEC
	80W
	75%
	75%:O-75min-CO-25min-CO. (Performing in circulated)
	E class insulation
	IP66
	-10°C to 50°C
	90%RH Max. (non-condensing)
	1/2" PT cable connector, screw terminals
	1.25mm
	Heater
	DN50:17 / DN80:43
±1 (kg)	

H220

3Q5W series
connection: 2" JIS5K
3" JIS10K

SIZE	φD1	φJ1	φD2	φJ2	T	N	φO	N1	φO1	M	L±2	
DN50	2"	40	105	50	105	15	4	15	4	M12-P1.75	86	211
DN80	3"	75	150	75	150	16	8	19	8	M16-P2	118.5	296